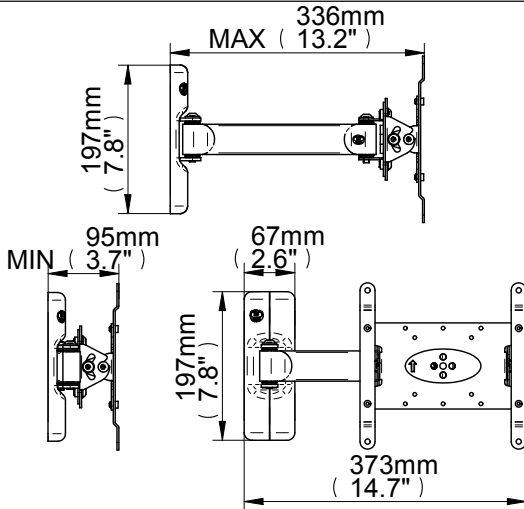


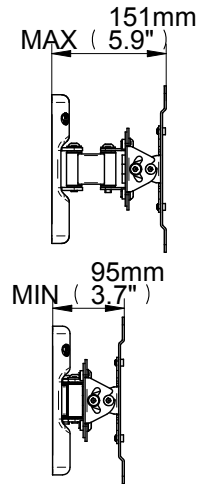
Regency Products - RP-008

Product Dimensions

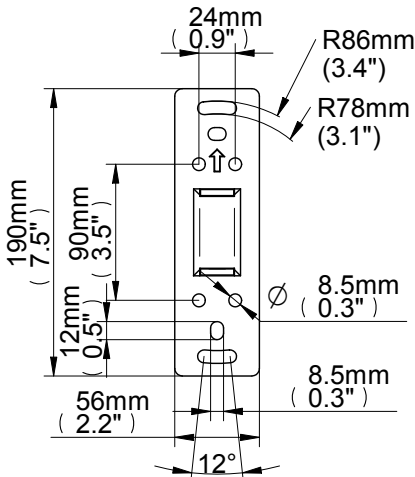
i) WITH LONG ARM



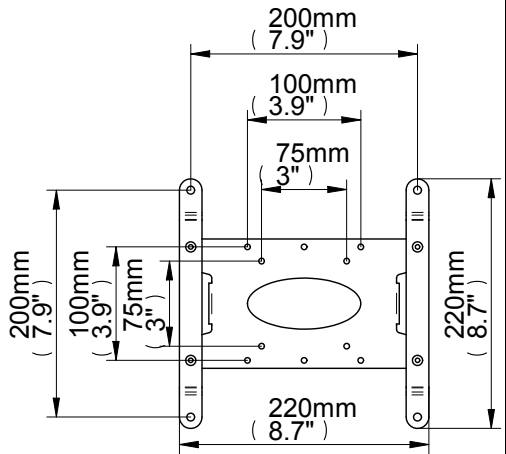
ii) WITH SHORT ARM



WALL PLATE



INTERFACE PLATE



These instructions are intended as a guide only and Regency Products accepts no liability for the accuracy of the information contained in this document.